

WATERSTRUCK PRESS

WITH MOULD CHAIN



- BRAND NEW WATERSTRUCK MOULDING SOLUTION
- IN COMBINATION WITH EXISTING FILLING TECHNIQUE
- HIGH CAPACITY DUE TO SHORT CYCLES TIME
- DIFFERENT BRICK THICKNESS IN JUST ONE FORM
- UNIQUE THROW OUT SYSTEM
- EASY MAINTENANCE
- COMPACT SYSTEM

De Boer has also given attention to modifying Petersen's soft-mud presses, because their disk design tends to limit their output. Their conventional technology has the additional drawbacks of limited flexibility and expandability.

The goal here was to incorporate a de Boer mould chain while retaining the practical filling system, the green-brick takeoff and the bricks' water-struck character.

In other words, the main merits of both machines were to be united.

So, engineers from Petersen and de Boer got together and designed the Petersen De Boer Press.

It fills according to the same principle as the Petersen press.

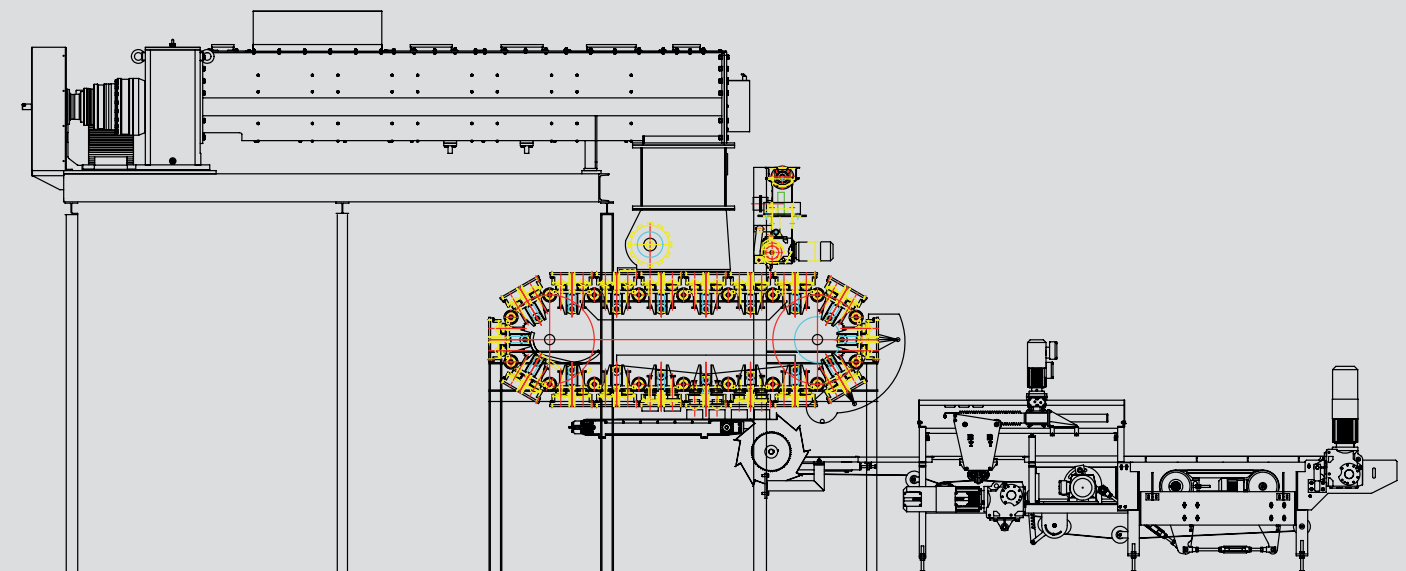
Short cycle times yield high capacity, and a single mould can be used for bricks with different thicknesses.

The low-maintenance, compact system features a cleverly devised demoulding system, and pallet take-off is unproblematic.

Capacity now exceeds that of the conventional Petersen press by as much as a double. Approx. 14.000 brick per hour depending on the nature of the clay.

Thanks to extra space at the bottom, the mould can be vented during pressing, and the bottom can be repositioned to compensate for wear.

One, two or more brick thicknesses can be implemented with a single set of moulds. The "frogs" on the mould bottoms shorten the drying and firing time. A second mould chain mounted in a mould-chain exchange unit enables quick & easy changing of formats.



De Boer Machines Nederland B.V.
Bijsterhuizen 2402
6604 LL Wijchen, The Netherlands

T + 31 (0)24 - 377 22 33
F + 31 (0)24 - 378 39 24
E info@deboermachines.nl

www.deboermachines.nl